



# JGD4S-R

## SMETS2 Smart Gas Meter

### Overview

Specifically developed to meet the needs of the UK Smart Meter Programme this SMETS2 compliant gas meter forms part of the complete smart metering solution for domestic premises. It has a friendly Human-Machine Interface (HMI) and features: SMETS2 data security encryption, highly configurable tariffs, comprehensive data logging, long battery life with simple field replaceable battery and field replaceable HAN module.

### Main features

- Designed in accordance with SMETS2 specifications
- Field replaceable battery
- Remote valve operation
- Remote firmware upgrade
- Easy operation and maintenance through advanced 3 push-button human-machine interface
- Approved to EN 1359 & EN16314
- Magnetic index drive
- Fire resistant in accordance with BS 6400-1:2006
- High accuracy and long-term stability
- Temperature compensation
- Matrix LCD display with backlight illumination

### Technical Specifications

- Meter Size: G4
- Measuring Range: 0.04~6 m<sup>3</sup>/h
- Measuring Accuracy: 1.5 (MID)
- Cyclic volume: standard 1.2dm<sup>3</sup> (2 dm<sup>3</sup> on request)
- IP Protection: IP65
- Maximum operating pressure: 0.5bar (Valve operation up to 0.1bar)
- Operating Temperature Range: -10 ~ 40°C (-25~55°C on request)
- Measured Gas type: Natural gas, air, and all non-corrosive gases
- Battery life: ≥15 years
- Display: Matrix LCD (with backlight)
- Display resolution 9 digits
- Measurements displayed to 0.2dm<sup>3</sup>

- resolution (0.0002 m3)
- Buttons: 3

## Communications

- GBCS baseline specification
- HAN: ZigBee SEP1.2
- HAN module field replaceable
- Optical port: IEC62056-21

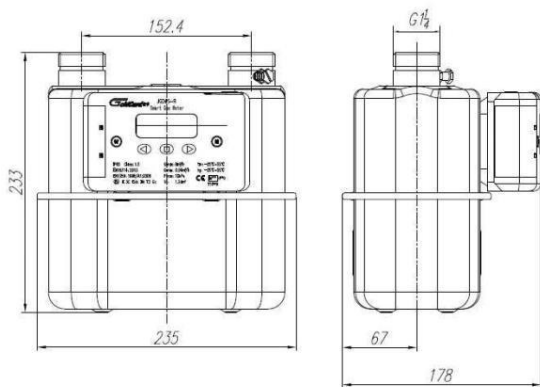
## Security

- Metrological tampering alarm
- AES-128/ECC data encryption
- Meter cover open detection
- Complies to GBCS data security
- Low battery alarm

## Data logging

- Daily read log
- Dynamic multi-tariff calculation
- Billing data log, triggered by an end of billing event

## Dimensions



- 100 records Event log
- Parameter change log
- Half hourly data stored locally
- Network data log
- Three month profile data log

## TOU

- Configurable up to 16 time-of-use tariffs
- Two tariff types: Time-of-use Pricing and Time-of-use with Block Pricing
- The two tariff types can be switched through remote commands

## Directives

- 2004/22/EC (MID)
- WELMEC 7.2:2012
- 1999/5/EC (R&TTE)
- 2004/108/EC (EMC)
- EN1359:1998-A1:2006
- EN16314:2013
- ATEX directive 94/9/EC

In Europe contact:

Holley Technology UK Limited, 200 Brook Drive, Green Park, READING, Berks, RG2 6UB

[info@holleymetech.uk](mailto:info@holleymetech.uk)

## GOLDCARD HIGH-TECH CO.,LTD.

Add: No.158, Jinqiao Street, Hangzhou Economic & Technological Development Area, Zhejiang Province, China (Zip.310018)

Tel: +86 571 56633333

<http://www.china-goldcard.com>